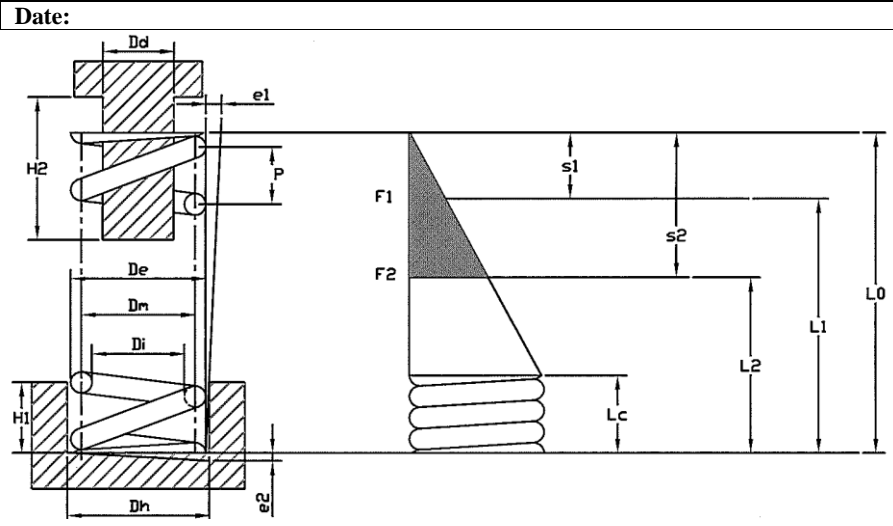


**RESSORTS DURY : Compression Spring Form**  
 Please fill in the form below and send it to us by  
 Fax : 0033 5 55 89 69 01 or E-mail: [contact@ressorts-dury.fr](mailto:contact@ressorts-dury.fr)

<b>Company:</b>	<b>Contact:</b>
<b>Address:</b>	
<b>Post code/Town:</b>	
<b>Tel :</b>	<b>Fax:</b>
<b>E-mail:</b>	



<b>Type:</b> <input type="checkbox"/> Cylindrical <input type="checkbox"/> Conical	<b>No. of active coils n:</b>	<b>Total no. of coils nt:</b>
<b>If conical</b> Big Outer Diam: (+ /- )		
Small Inner Diam.: (+ /- )		

<input type="checkbox"/> <b>Round wire Diam.:</b>	<input type="checkbox"/> <b>Square/ Rectangular wire Section:</b>
<b>Raw material:</b> <input type="checkbox"/> Steel <input type="checkbox"/> Galvanized Steel <input type="checkbox"/> Stainless steel Grade:	
<input type="checkbox"/> Other:	
<b>Winding direction:</b> <input type="checkbox"/> Right Hand <input type="checkbox"/> Left hand <input type="checkbox"/> Either	
<b>Surface Treatment:</b> <input type="checkbox"/> Zinc-coated: thickness = <input type="checkbox"/> Shot peening <input type="checkbox"/> Passivated	
<input type="checkbox"/> Metal-cleaning/Passivated <input type="checkbox"/> Lubricated <input type="checkbox"/> Deburring <input type="checkbox"/> Phosphated	
<input type="checkbox"/> Other:	
<b>Specific requirements:</b> (Scratch, streak, prohibited elements...)	
<b>Surroundings:</b> (contact with oil, water...):	
<b>Use Temp. °C:</b> mini : maxi :	<b>Expected lifetime:</b> <b>Frequency:</b> <b>Amplitude :</b>
<b>Quantity:</b>	
<b>Deadline:</b>	<b>Specific packaging:</b>
<b>Spring's function:</b>	
<b>Reference:</b>	<b>Issue:</b> <b>Designation:</b>

<b>Data (mm) and Production tolerances</b>	<b>The Ends:</b>	
Loads F1 and F2 in : <input type="checkbox"/> daN <input type="checkbox"/> N <input type="checkbox"/> Kg	<input type="checkbox"/> Open (Unsquare) And Unground	
L0: Free length : _____ (+ /- )	<input type="checkbox"/> Closed (Squared) And Unground	
L1: Length 1: _____	<input type="checkbox"/> Open (Unsquare) And Ground	
Subjected to the load F1: _____ (+ /- )	<input type="checkbox"/> Closed (Squared) And Ground	
L2: Length 2: _____		
Subjected to the load F2 : _____ (+ /- )		
Le: Solid length: _____		
De: Outside diameter: _____ (+ /- )		
Di: Inside diameter: _____ (+ /- )		
Dm: Mean diameter: _____ (+ /- )		
s1: stroke => L0 to L1: _____		
s2: stroke => L0 to L2: _____		
R: Spring rate: _____		
P: Pitch: _____		
e1: Max. allowed defect of Perpendicularity: _____		
e2: Max. allowed defect of Parallelism: _____		
	<b>End 1</b>	<b>End 2</b>
Dd Max. Shaft diameter:		
H2 shaft height:		
Dh Max. Hole diameter:		
H1 Hole height:		

**Scheme/Comments:**